



SANO

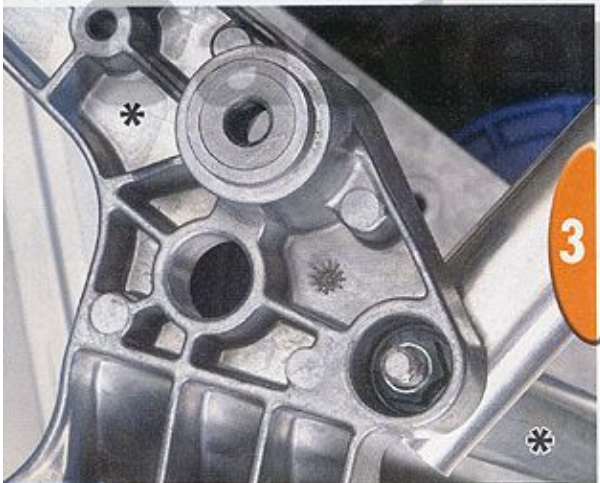
강남캐스터넷

TEL) 02-805-3135

CasterNet.com

FAX) 02-894-3136

ENGLISH



LIFTKAR, the electric stairclimber and MODULKAR, the handtruck

The most important features for both:

- 1) Aluminium Tube with 3 sections* patented. The centre section gives support to the screw. The groove at the centre locates the tongue of the crossbar.
- 2) Changing the wheel like formula 1 car. Fast, simple with only one screw*.
- 3) Extremely strong wheel bracket*. The middle bar* (only Modulkar) with tension screw: elastic and with the strength like spanned concrete. Being only 8 cm from the ground, easier to tilt backwards.
- 4) The centre groove* for mounting the wheel bracket and special attachments designed for specific loads, all adds to greater stability.

SANO

MODULKAR®

The professionals for daily delivery.
LIFTKAR is an electric stairclimber or a stairclimbing handtruck, extremely light (16 kg) and fast (up to 48 steps per minute)

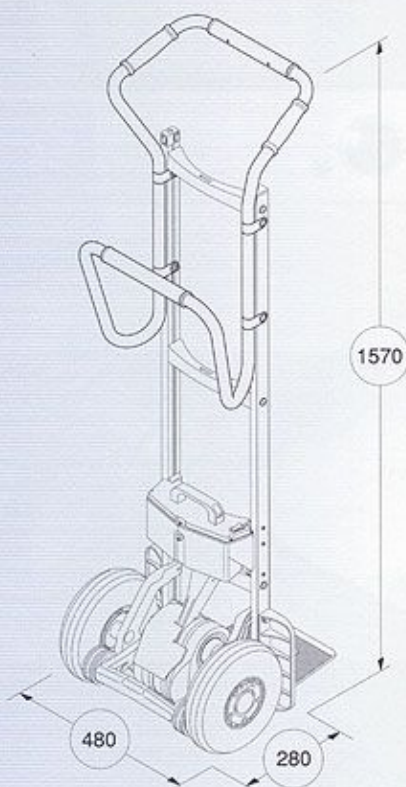
MODULKAR is a handtruck, but built out of the high quality parts of the stairclimber. So, a Liftkar without motor. Both Liftkar and Modulkar are completely modular, every part can be changed.



- 5) At the mainframe all the same TORX screw*. Only one key is needed.
- 6) Hinged toeplate with nylon washer* and spring washer. Never again chattering toeplates.
- 7) Wheelhub in 2 parts with screws*, makes changing the tyre easy. Even puncture proof tyres. The wheels are fitted with industrial ball bearings.
- 8) Handle mounting with stainless steel clamps, ensures strength with good stability.

LIFTKAR[®] SAL

Electric Stairclimbers



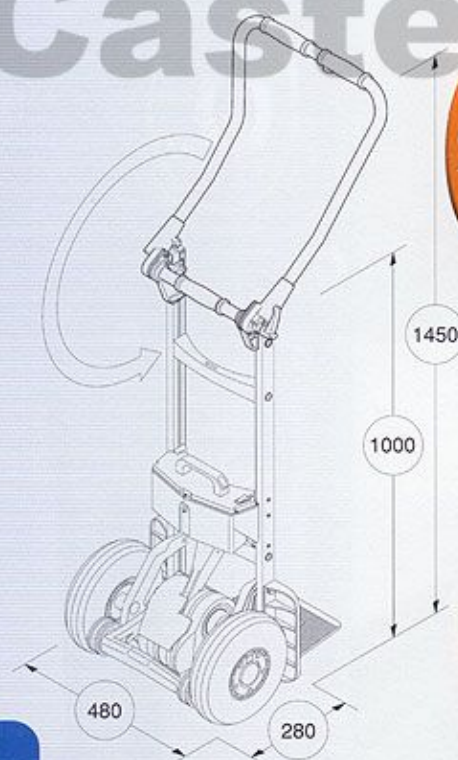
Liftkar SAL Basic models

1) ERGO

On the stairs you operate with a straight back and a good control over the load, although the load-centre should not be too low. Perfect for parcels, crates, bottles and boxes.

2) FOLD

With the FOLD you also operate with a straight back because the handle adjusts to the load. Used typically for white goods, brown goods, vending machines, stoves, boxes, oxygen (gas) cylinders, fruit, tools, wood, tiles etc.



FOLD 110

FOLD 140

ERGO

SANO



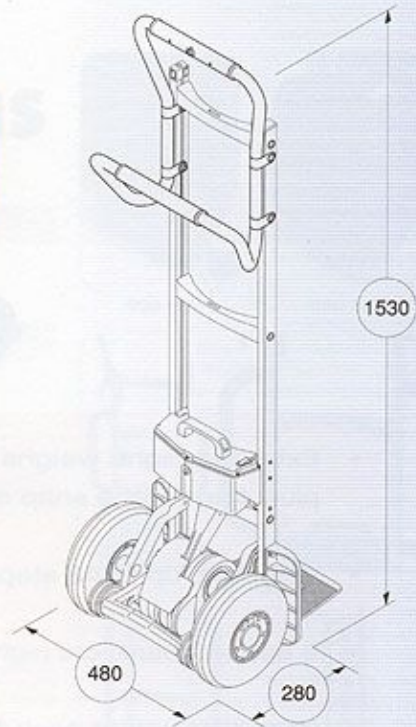
3) UNI

Typically used for high loads, but also popular for smaller loads of different sizes. Looks very much like a normal handtruck.

4) FOLD-L

If the handle is folded down the stairclimber looks like an ordinary handtruck. In the upright position you are able to accommodate high loads. With the handle in forward position you have got more or less an ERGO.

3



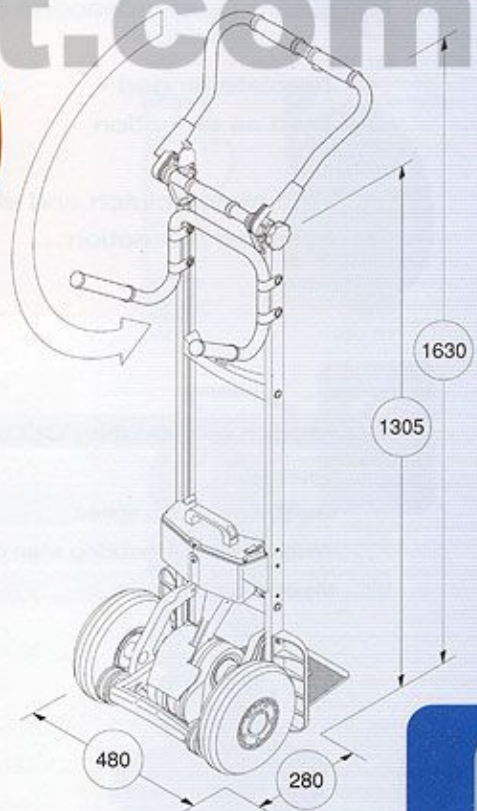
SAL - BASICMODELS

Drive

3 motor-versions to choose from:

- 110 kg 48 steps per min
- 140 kg 35 steps per min
- 170 kg 29 steps per min

4



140

FOLD 110

ERGO 110

LIFTKAR[®] SAL

Electric Stairclimbers



Technical data

- Extremely light: weighs 16 kg plus 4 kg for the snap on battery
- Very fast: up to 48 steps/minute
- 2 speed operation: high/low
- Intelligent power pack features step sensing and starts automatically (descend mode)
- Toeplate hinged - fixed as an option
- With sliding clutch and electronic overload protection

- Handtruck and powered stair-climber combined in one machine
- The best on winding stairs and narrow landings
- Large comfortable pneumatic tyres $\varnothing 260 \times 85$ mm
- With a second battery or the mobile charger the Liftkar can be operated all day long. (The battery capacity depends on the load and battery condition - the average is 200-300 steps ascending. Descending at least double).

Model: ERGO/UNI/FOLD/FOLD-L	SAL 110	SAL 140	SAL 170
Capacity	110 kg	140 kg	170 kg
Maximum climbing speed	48 steps/min	35 steps/min	29 steps/min
Weight - without/including snap on battery		16/20 kg	
Maximum step height		210 mm	



SANO



CasterNet.com

Speed control

Indicator lamp

- ascending mode: constant green
- descending mode: flashes green

Ascend/descend button

- depress once to change mode
- depress longer than (>3 sec.) to switch off



LIFTKAR[®] SAL

Electric Stairclimbers

Model range and order numbers



ERGO

SAL 110	ERGO	blue	030 705
		red	030 805
	pistolgrips	blue	030 720
		red	030 820

SAL 140	ERGO	blue	030 704
		red	030 804
	pistolgrips	blue	030 719
		red	030 819

SAL 170	ERGO	blue	030 722
		red	030 822
	pistolgrips	blue	030 725
		red	030 825



FOLD

SAL 110	FOLD	blue	030 708
		red	030 808

SAL 140	FOLD	blue	030 707
		red	030 807

SAL 170	FOLD	blue	030 723
		red	030 823



ERGO pistolgrips

SANO

All models are standard including 1 pc battery, 1 pc charger (mains) and hinged toeplate bracket. **The single toeplate is not included.** We offer a range of different toeplates with different prices. **For this reason the plate has to be ordered separately** (see page 10). For these standard models several options and accessories can be obtained (see page 11-13).

SAL 110	UNI	blue	030 702
		red	030 802
	pistolgrips	blue	030 728
		red	030 828

SAL 140	UNI	blue	030 701
		red	030 801
	pistolgrips	blue	030 727
		red	030 827

SAL 170	UNI	blue	030 721
		red	030 821
	pistolgrips	blue	030 729
		red	030 829

SAL 110 FOLD-L		blue	030 717
		red	030 817

SAL 140 FOLD-L		blue	030 716
		red	030 816

SAL 170 FOLD-L		blue	030 724
		red	030 824



UNI



FOLD-L



UNI pistolgrips

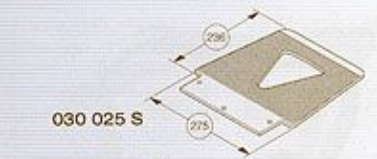
MODEL RANGE AND ORDER NUMBERS



LIFTKAR[®] SAL

Electric Stairclimbers

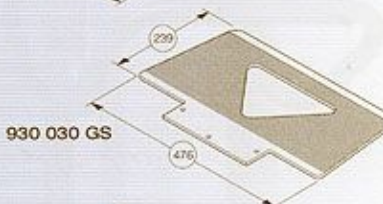
Toeplates



030 025 S



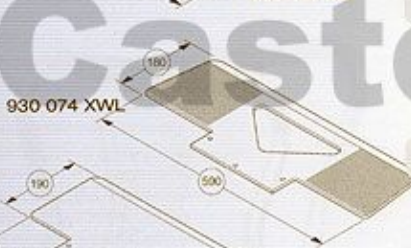
930 003 G



930 030 GS



930 018 WL



930 074 XWL



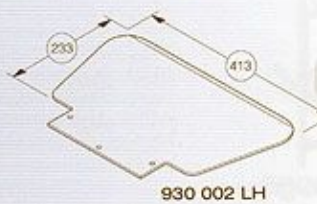
930 084 GS-NG



930 085 DS-NG



930 001 V



930 002 LH

Toeplate Standard 030 025

- 275 x 236 x 7 mm
- with grooves against sideway movements

Toeplate G 930 003

- 420 x 340 x 7 mm
- for large parcels

Toeplate GS 930 030

- 476 x 240 x 7 mm
- used in the beverage industry - wide enough for the secure transport of kegs and crates

Toeplate WL 930 018

- 356 x 180 x 7 mm
- for white goods, cans, crates

Toeplate XWL 930 074

- 590 x 180 x 7 mm
- also white goods (feet on the plate)

Toeplate GS-NG 930 084

- 476 x 240 x 7 mm
- for goods in cartons (like tins or cans)

Toeplate DS-NG 930 085

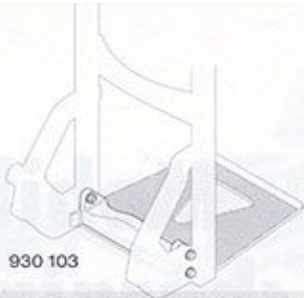
- 450 x 190 x 7 mm
- also for goods in cartons

Toeplate V 930 001

- 413 x 233 x 5 mm
- mainly transportation of oxygen cylinders

Toeplate LH 930 002

- 467 x 278 x 5 mm
- like plate V, but bigger



930 103

Options

Fixed toeplate-attachment

930 103

(instead of hinged)

Puncture proof tyres, grey

930 119

1 pair, blue hub

red hub

930 219

Grey pneumatic tyres

930 109

Non marking, 1 pair, blue hub

red hub

930 209

Wings for white goods

930 126

length 334mm, 1 pair

Wings long

930 131

length 860 mm, for ERGO, UNI and FOLD-L

bar, center support

930 133

flat back, for UNI/ERGO

Centre bar with add. crossbar

930 105

UNI, ERGO

Wheel base extension

930 111

80 mm wider, 1 pair

bottle water attachment

930 132

for 6 bottles, mounted

consisting of a special fixed toeplate

for 2 bottles or cooler/boxes

and 4 foldable trays



930 119



930 109



930 126



930 131



930 133



930 105



930 111



930 132

LIFTKAR[®] SAL

Electric Stairclimbers

Mobile charging



930 600

Mobile charger BC 10-30 VDC-SAL 930 600



930 114

Battery holder with charger 930 114

incl. mobile charger BC 10-30 VDC-SAL

Battery holder flat with charger 930 116

incl. mobile charger BC 10-30 VDC-SAL

battery vertical, space-saving

(no picture)

Double battery holder with charger 930 113

incl. mobile charger BC 10-30 VDC-SAL

(no picture)



004 110

Extra battery unit BU-SAL 004 110

24 VDC, 5 Ah, blue

grey/red 004 210



930 606

Extra charger BC 100-230 VAC 930 606

Mains cable GB for charger 930 623

Mains cable USA for charger 930 624

Mains cable AUS for charger 930 625

Accessories

SANO

(con't) Accessories

Strap SP-SAL - 1,40 m 930 006
(25 mm width)



930 006 / 930 007

Strap SP-SAL - 2,70 m 930 007
(25 mm width)



930 123

Strap SP-SAL - 3,20 m 930 123
(50 mm width)

folding table 930 129
platform 600 x 590 mm
height 600 mm
incl. mounting parts
only applicable with toeplate WL (356x180mm)
or XWL (590x180mm) hinged or fixed



930 129

Twin bottle holder ø204mm 930 107



930 107

Keg hook 930 108



930 113

MOBILE CHARGING / ACCESSORIES

LIFTKAR[®] SAL

Electric Stairclimbers

MODULKAR®



025 702
025 703

Pistolgrips	blue	025 700
fixed toeplate-attachment	red	025 800
hinged toeplate-attachment	blue	025 701
	red	025 801

(weight with standard toeplate: 9,0 kg)

Pistolgrips/stairgliders	blue	025 702
stairgliders in aluminium	red	025 802

and nylon gliders

(gliders changeable with clipsystem)

fixed toeplate-attachment

hinged toeplate-attachment	blue	025 703
	red	025 803

(weight with standard toeplate: 10,3 kg)



025 700 / 025 701

SANO

Prices without toeplate (except waterbottletruck)
Capacity 300 kg,
assembled, unpacked
 (toeplates/options and accessories see page 10 - 13)

Loop grip	blue	025 704
fixed toeplate-attachment	red	025 804
hinged toeplate-attachment	blue	025 705
	red	025 805

(weight with standard toeplate: 9,0 kg)

Waterbottletruck for 6 bottles

with a fixed toeplate for 2 bottles or cooler/boxes
 and 4 foldable trays (5th tray as an option)

Pistolgrips/stairgliders	blue	025 706
(weight: 14,5 kg)	red	025 806
Pistolgrips	blue	025 707
(weight: 13,2 kg)	red	025 807
Loopgrip (like 025 704)	blue	025 708
(weight: 13,2 kg)	red	025 808
Additional Tray		930 138

for 7th bottle, mounted between stairgliders and frame
 above the wheels (only with 025 706)



025 704
 025 705



025 707



025 706

930 138

MODULKAR

MODULKAR®